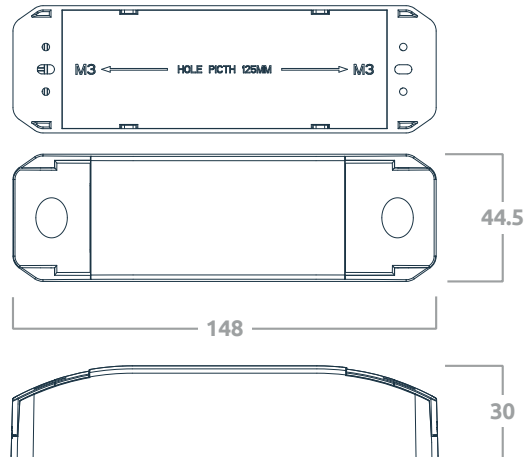


## Dimensions

<b>Mounting options</b>	Independent control gear / surface mount
<b>Fixing centres</b>	125 mm
<b>Dimensions</b>	148 / 44.5 / 30 mm



## Product range

Order code	Description
<b>zc-pwm-iot-4ch-10a</b>	LED pwm dimmer, field mount

## Specifications

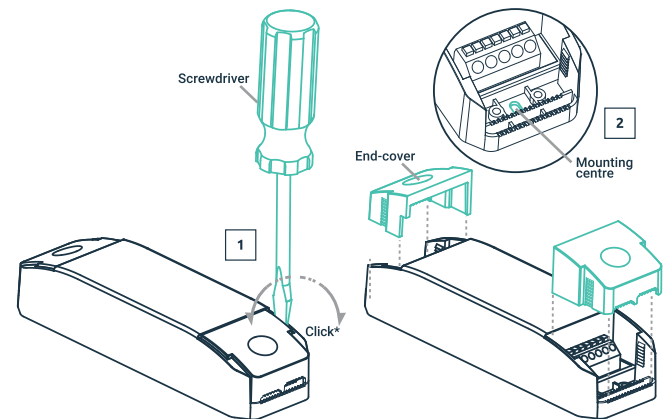
<b>Supply voltage</b>	12 - 24 Vdc
<b>Self consumption</b>	150mW
<b>Control system</b>	<b>Wired</b> DALI-2 <b>Wireless</b> IEC62386-104 over Thread
<b>Radio support</b>	IEEE 802.15.4
<b>Frequency band</b>	2.4 GHz
<b>Max radio tx power</b>	+8 dBm
<b>DALI line current</b>	2 mA
<b>Output load</b>	10A total 0-10A per channel
<b>Output load type</b>	LED only
<b>Independent channels</b>	4
<b>Bus unit configurations</b>	4 x DT6, 2 x DT8-TC, DT8-RGBW (see bus unit configuration table)
<b>Wiring</b>	1 - 4 mm <sup>2</sup> Strip 6 - 7 mm
<b>Operating temperature</b>	0 to 55°C
<b>Material</b>	PC
<b>Classification</b>	Class II
<b>Ingress protection</b>	IP20

## Installation

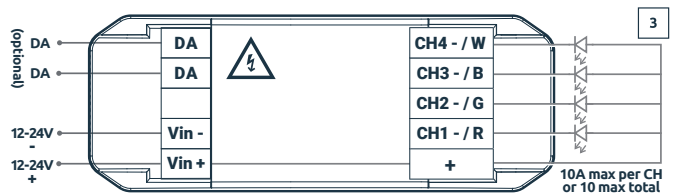
Remove the product from the box and inspect it for any damage. If you believe the product to be damaged or otherwise unsound, **do not** install the product. Please pack it back into its box and return it to the place of purchase for replacement.

If the product is satisfactory, proceed with the installation:

- 1 Ensure safety warnings are adhered to.
- 2 Release the two end covers using a flatblade screwdriver **fig 1**.
- 3 Mount device, **fig 2**, and wire as per the wiring diagram in **fig 3**.
- 4 Replace end covers to ensure adequate strain relief.



## Wiring diagram



Wire preparation  
1 - 4 mm<sup>2</sup>



## Safety information

- This product must only be installed by a licensed electrician.
- Before commencing installation turn off and isolate the electrical supply.
- There are no user serviceable parts, attempting to service any part of the product will void the warranty
- DALI is not SELV and as such should be treated as LV.
- As the installer, it is your responsibility to ensure you comply to all relevant building and safety codes. Refer to applicable standards for the relevant rules.

## System overview: modes

- 1 **104 mode** is enabled after the device has been added to a 104 application controller such as *zc-iot-fc*.

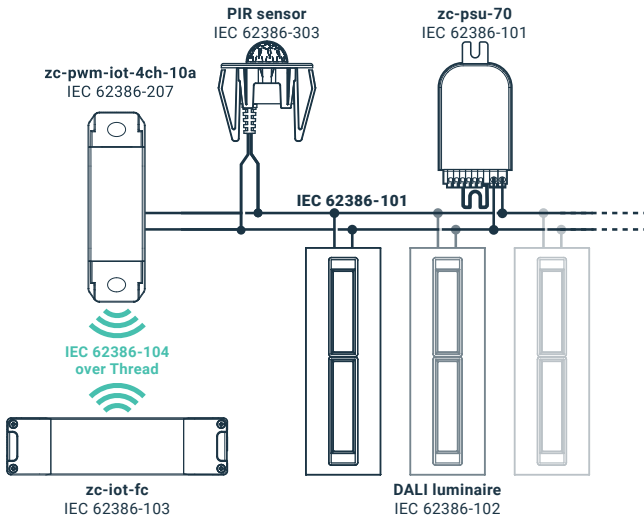
*zc-pwm-iot-4ch-10a*  
IEC 62386-207



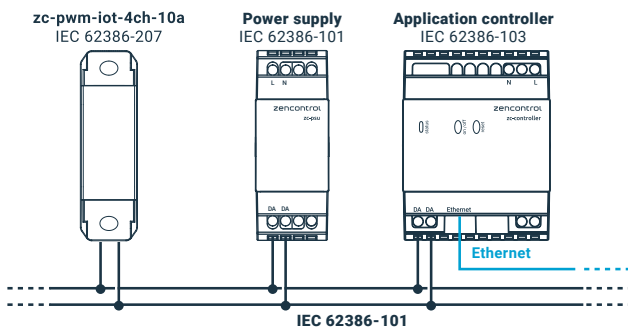
*zc-iot-fc*  
IEC 62386-103



- 2 **104 + 101** Bridge mode is enabled after the device has been added to a 104 controller and a 101 power supply has been connected to the DALI terminals.



- 3 **101 mode** is enabled after a 101 power supply has been connected to the DALI terminal and the device **has not** been added to a 104 application controller.



## Bus unit configurations

Bus unit config.	No. of ECG	Channel 1	Channel 2	Channel 3	Channel 4
192 (default)	4	ECG index 0 DT6 (LED)	ECG index 1 DT6 (LED)	ECG index 2 DT6 (LED)	ECG index 3 DT6 (LED)
193	2	ECG index 0 DT8-TC (cool)	ECG index 0 DT8-TC (warm)	ECG index 1 DT8-TC (cool)	ECG index 1 DT8-TC (warm)
194	1	ECG index 0 DT8-RGBW (red)	ECG index 0 DT8-RGBW (green)	ECG index 0 DT8-RGBW (blue)	ECG index 0 DT8-RGBW (white)

Note: Bus unit configuration RGBW can be set using the *zencontrol* commissioning application. See [support.zencontrol.com](http://support.zencontrol.com) for more information.

## Notice



For more information  
on compliant software  
see our website  
[zencontrol.com](http://zencontrol.com)